

# GREEN ROOF SHELTERS EST. 2008

This shelter is a building and a habitat in one, every part of the 'box' designed to work with the site and the local wildlife.

A simple irrigation system is embedded in the substrate to aid plants getting established and protect against future droughts.

Three different substrates have been used on the roof to see how each substrate performs at supporting a diverse set of plants.

Our roofs are designed to hold up to 75% of the yearly rainfall. So it is a great way to reduce run off water at source.

We have designed a habitat panel that allows access to the space created between the new roof and the existing container roof. The access can be tailored to suite local bird and bat species.

Habitat walls provide nesting materials, hibernation sites and space for wildlife. Solitary bees are just one example of the life they help sustain.



The design of our roof gives opportunity to use locally sourced materials as an edging seen from the ground.

The new roof protects the container and means the structure has an indefinite life.

Here the container has been adapted as a visitors exhibition shelter. It could just as easily be adapted as cycle storage or an outdoor classroom etc.

The space formed underneath the container can also be tailored to suit small mammals

A shipping container's natural ability to be transported allows it to be moved on or sold at some later date. This shelter could easily be relocated, just check there are no nesting birds using it.

Our shelters are delivered to their new home fully assembled and planted. Which means they literally take minutes to install atop four pre-positioned key stones.

## GREEN ROOF SHELTERS

Green Roof Shelters design and build healthily biodiverse and self sustaining green-roofed structures. Unlike many other existing green roof systems, which often support only one plant species, our system vigorously encourages a multitude of plant and animal life suited to the local area. Our purpose-built roofing system facilitates the construction of small to medium sized shelters, ranging from our pre-fab shipping containers to bespoke structures built on site.

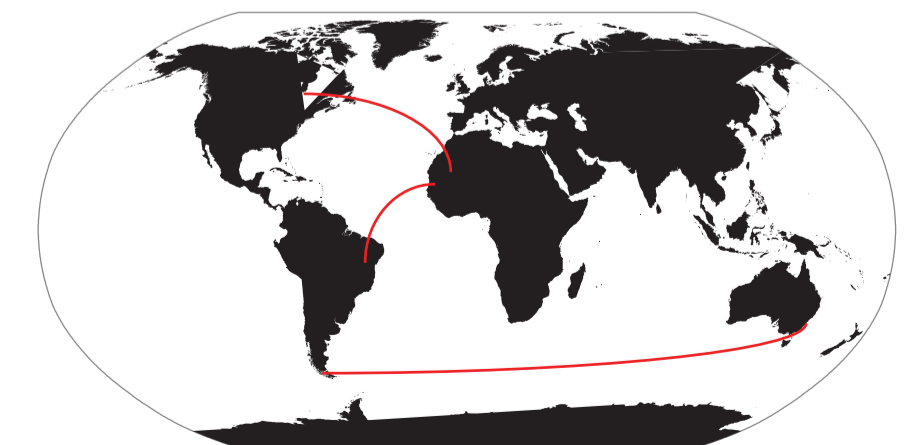
[www.greenroofshelters.co.uk](http://www.greenroofshelters.co.uk)

## Intermodal Containers

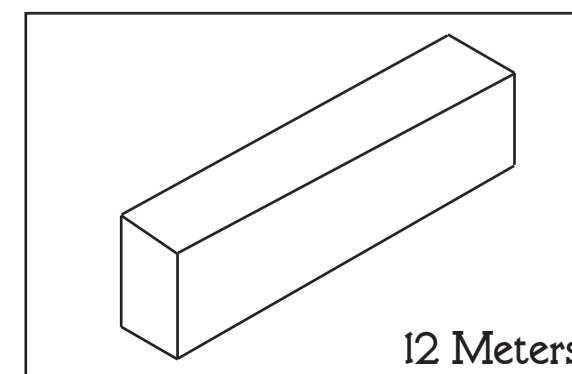
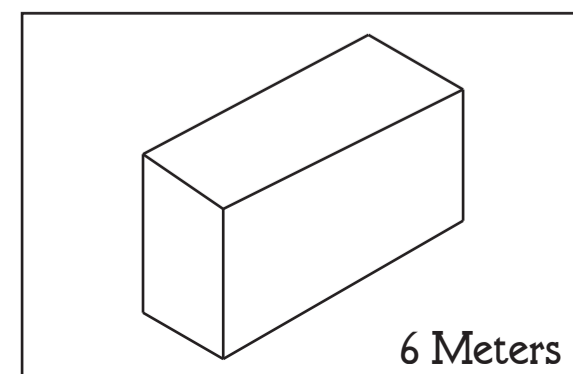
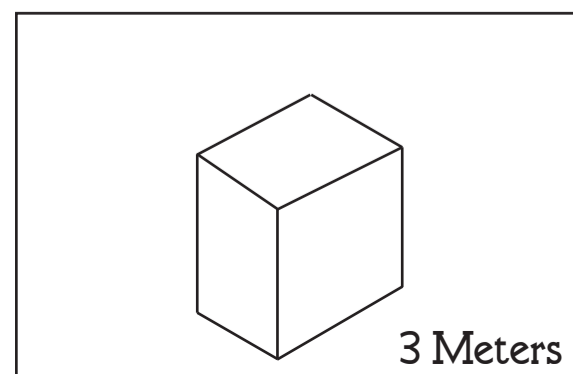
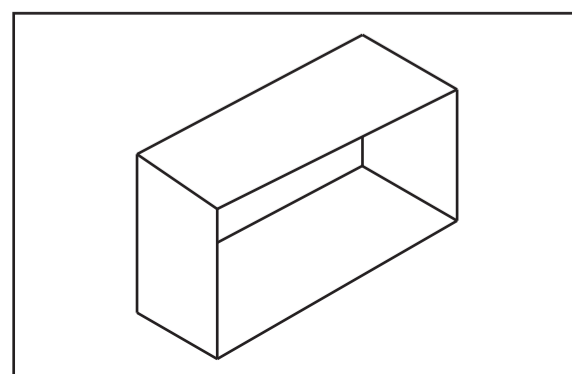
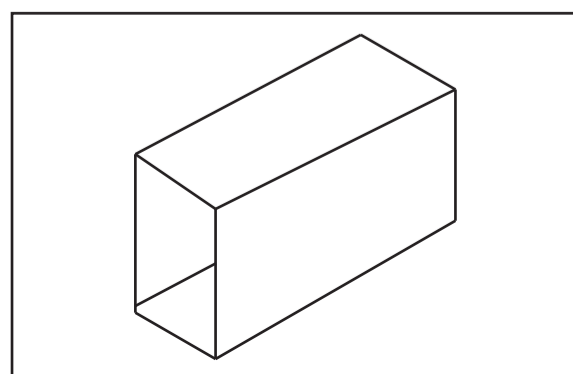
(Shipping containers)

In 1955, after development post-World War II, shipping containers were built to standardised sizes which were adopted globally for efficient freight transportation. The strength of their design allows for up to 26 tons of cargo to be carried and stacking of the containers up to eleven units high. Distances travelled can be upwards of 50,000 miles a year with all containers requiring a valid Container Safety Certificate in order to be classed sea worthy. Shipping container's qualities make them ideal structures for Green Roof Shelters:

- Incredibly strong and rigid structure to support our 225kg/m<sup>2</sup> biodiverse green roof
- Inherently durable COR-TEN steel
- Universal portability among haulage companies world wide
- Selection of sizes: 3m/6m/12m by 2.4m allowing for many adaptations (Bike storage, garden room, classroom etc.)



Container shipping journeys over one year



*Used Shipping Container - 12 Years at sea*





*Side Removed and painted*



*Green roof on*



*Choose your gabion edge material*



*Choose your bird or Bat and we'll cut the holes to suit*

*Choose your invertebrates and we'll design our famous habitat walls to suit*



*Tell us where you want it delivered and we'll crane in your own bit of green space. Simple.*





*Tell us where your shelter is going and we will help you choose plants and substrate to suit the locality or Biodiversity Action Plan*



*On it's way to  
the Wildflower  
centre in  
Liverpool,  
stopping off at  
the World  
Greenroof  
Congress 2010 in  
London*





*And finally at home in the Wildfowl and wetlands Trust new Rain Garden*